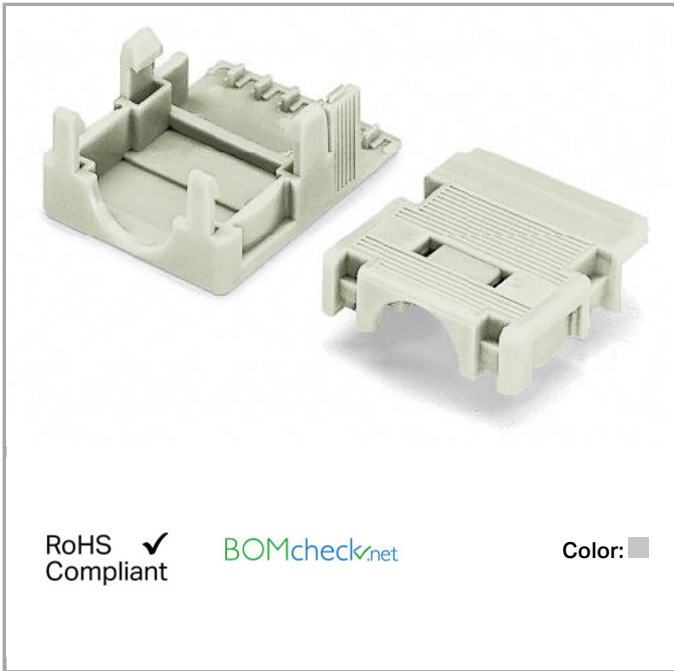


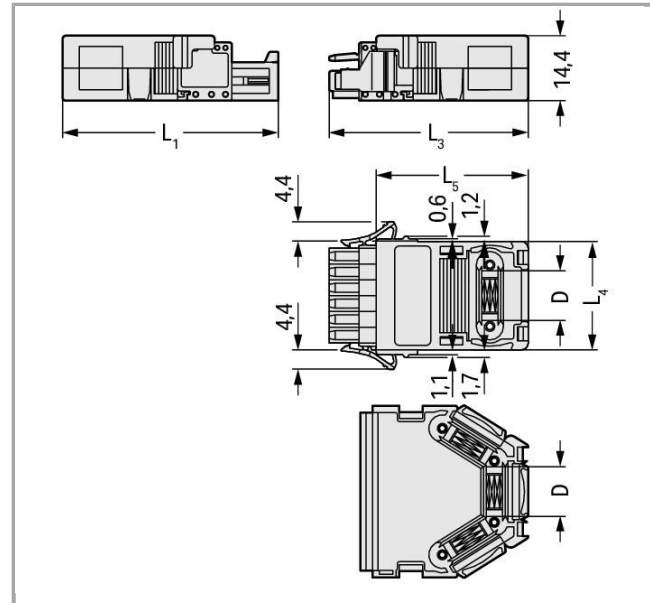
734-604



RoHS Compliant

BOMcheck.net

Color:



Item description

- Only for use with cable binders
- Cable binder width: max. 3.6 mm
- 1 x cable outlet, rear

Data

Connection data

No. of poles	4
Number of connection types	1

Geometrical Data

Pin spacing	3.5 mm / 0.138 inch
Width	17 mm / 0.669 inch
Height	14.4 mm / 0.567 inch
Depth	32.7 mm / 1.287 inch

Material Data

Color	light gray
-------	------------


Fire load	0.079 MJ
Weight	2.65 g

Commercial data



Product Group	3 (Multi Conn. System)
Country of origin	DE
GTIN	4017332548199
Customs Tariff No.	85389099990

Approvals / Certificates

Country specific Approvals

Logo	Approval	Additional Approval Text	Certificate name
	CCA DEKRA Certification B.V.	EN 61984	2169534.02
	CCA DEKRA Certification B.V.	EN 61984	nl-54190
	CCA DEKRA Certification B.V.	EN 61984	NL-31142

Ship Approvals

Logo	Approval	Additional Approval Text	Certificate name
	ABS American Bureau of Shipping	-	14- HG1241537- PDA
	DNV GL Det Norske Veritas, Germanischer Lloyd	-	TAE000016Z

Downloads

CAD/CAE - Smart Data

CAD data

3D Download 734-604	URL	Download
---------------------	-----	----------



Subject to changes.
